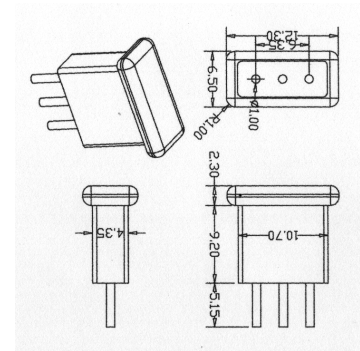


JXP(Pads)for:PAD-2(0.45")



## SPECIFICATION SHEET

Part Number	Value(dB)	Insertion Loss@MHz					Total Attenuation(dB)
		5	550	750	860	1000	
<i>Pad-1-00</i>	0.0	0.0	0.0	0.0	0.0	0.0	<b>0.0</b>
<i>Pad-2-01</i>	1.0	1.0	1.0	1.0	1.0	1.0	<b>1.0</b>
<i>Pad-2-02</i>	2.0	2.0	2.0	2.0	2.0	2.0	<b>2.0</b>
<i>Pad-2-03</i>	3.0	3.0	3.0	3.0	3.0	3.0	<b>3.0</b>
<i>Pad-2-04</i>	4.0	4.0	4.0	4.0	4.0	4.0	<b>4.0</b>
<i>Pad-2-05</i>	5.0	5.0	5.0	5.0	5.0	5.0	<b>5.0</b>
<i>Pad-2-06</i>	6.0	6.0	6.0	6.0	6.0	6.0	<b>6.0</b>
<i>Pad-2-07</i>	7.0	7.0	7.0	7.0	7.0	7.0	<b>7.0</b>
<i>Pad-2-08</i>	8.0	8.0	8.0	8.0	8.0	8.0	<b>8.0</b>
<i>Pad-2-09</i>	9.0	9.0	9.0	9.0	9.0	9.0	<b>9.0</b>
<i>Pad-2-10</i>	10.0	10.0	10.0	10.0	10.0	10.0	<b>10.0</b>
<i>Pad-2-11</i>	11.0	11.0	11.0	11.0	11.0	11.0	<b>11.0</b>
<i>Pad-2-12</i>	12.0	12.0	12.0	12.0	12.0	12.0	<b>12.0</b>
<i>Pad-2-13</i>	13.0	13.0	13.0	13.0	13.0	13.0	<b>13.0</b>
<i>Pad-2-14</i>	14.0	14.0	14.0	14.0	14.0	14.0	<b>14.0</b>
<i>Pad-2-15</i>	15.0	15.0	15.0	15.0	15.0	15.0	<b>15.0</b>
<i>Pad-2-16</i>	16.0	16.0	16.0	16.0	16.0	16.0	<b>16.0</b>
<i>Pad-2-17</i>	17.0	17.0	16.9	16.9	16.9	16.9	<b>17.0</b>
<i>Pad-2-18</i>	18.0	18.0	17.9	17.9	17.8	17.7	<b>18.0</b>
<i>Pad-2-19</i>	19.0	18.9	18.9	18.9	18.8	18.6	<b>19.0</b>
<i>Pad-2-20</i>	20.0	19.9	19.9	19.9	19.8	19.6	<b>20.0</b>
<i>Pad-2-75</i>	75ohm	N/A	N/A	N/A	N/A	N/A	<b>N/A</b>

Return Loss I/O: **19dB**.

Passband Flatness:**0.3dB**,Peak to Valley.